

QUENCH SEAL ITEM No. 1
STANDARD CONFIGURATION

PART NO.	DESCRIPTION	MATERIAL	PRESS
701.10009-01	O-RING	VITON	10K
	BU-RING 2 PCS	TEFLON	
701.10009-02	O-RING	VITON	20K
	BU-RING 2 PCS	TEFLON	
701.10009-03	O-RING	VITON	30K
	BU-RING 2 PCS	TEFLON	
701.10009-04	O-RING	VITON	40K
	BU-RING 2 PCS	TEFLON	

EPR OPTION

PART NO.	DESCRIPTION	MATERIAL	PRESS
701.10009-05	O-RING	EPR	10K
	BU-RING 2 PCS	TEFLON	
701.10009-06	O-RING	EPR	20K
	BU-RING 2 PCS	TEFLON	
701.10009-07	O-RING	EPR	30K
	BU-RING 2 PCS	TEFLON	
701.10009-08	O-RING	EPR	40K
	BU-RING 2 PCS	TEFLON	

BACK PLATE SEAL ITEM No. 2

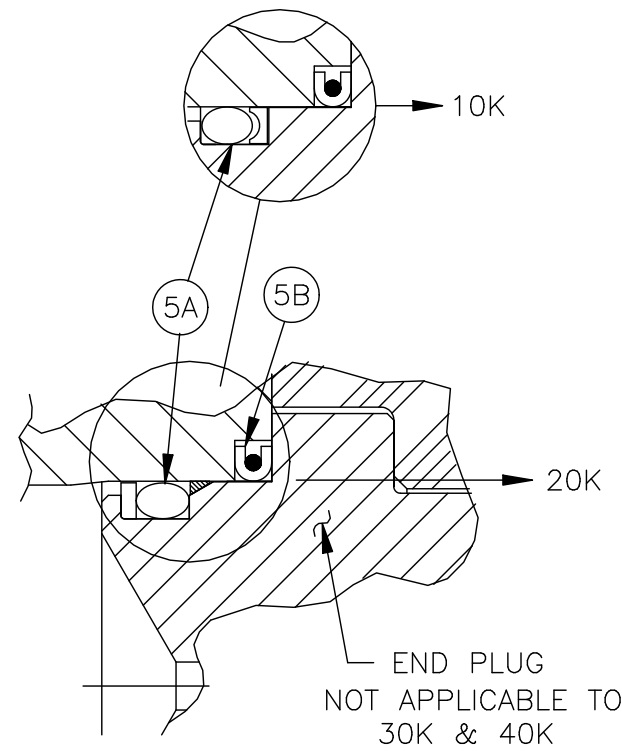
PART NO.	DESCRIPTION	MATERIAL	PRESS
18.V233	O-RING	VITON	ALL

EPR OPTION

PART NO.	DESCRIPTION	MATERIAL	PRESS
18.E233	O-RING	EPR	ALL

OBSELETE - FOR INFO ONLY

END PLUG SEAL ITEM No. 5				
PART NO.	DESCRIPTION	MATERIAL	PRESS	LOCATION
701.10011-01	O-RING	VITON	10K	5A
	BU-RING	TEFLON		
701.10011-02	O-RING	VITON	20K	
	BU-RING	TEFLON		
701.10011-05	WEDGE	316 SS	10K	
	O-RING	EPR		
701.10011-06	O-RING	EPR	20K	
	BU-RING	TEFLON		
16.2233	WEDGE	316 SS	10K	5B
	O-RING	ALLOY		



PLUNGER SEAL ITEMS No. 3 & No. 4

PART NO.	ITEM	DESCRIPTION	MATERIAL	PRESS
701.00002-01	3	BU-RING 1 PC	VIRGIN PEEK	5K
	4	SEAL	UHMWPE	
701.00002-02	3	BU-RING 1 PC	VIRGIN PEEK	10K
	4	SEAL	UHMWPE	
701.00002-03	3	BU-RING 1 PC	VIRGIN PEEK	20K
	4	SEAL	UHMWPE	
701.00002-04	3	BU-RING 1 PC	VIRGIN PEEK	30K
	4	SEAL	UHMWPE	
701.00002-05	3	BU-RING 1 PC	VIRGIN PEEK	40K
	4	SEAL	UHMWPE	
701.00002-06	3	BU-RING 1 PC	GLASS PEEK	5K
	4	SEAL	UHMWPE	
701.00002-07	3	BU-RING 1 PC	GLASS PEEK	10K
	4	SEAL	UHMWPE	
701.00002-08	3	BU-RING 1 PC	GLASS PEEK	20K
	4	SEAL	UHMWPE	
701.00002-09	3	BU-RING 1 PC	GLASS PEEK	30K
	4	SEAL	UHMWPE	
701.00002-10	3	BU-RING 1 PC	GLASS PEEK	40K
	4	SEAL	UHMWPE	
701.00002-11	3	BU-RING 1 PC	CARBON PEEK	5K
	4	SEAL	UHMWPE	
701.00002-12	3	BU-RING 1 PC	CARBON PEEK	10K
	4	SEAL	UHMWPE	
701.00002-13	3	BU-RING 1 PC	CARBON PEEK	20K
	4	SEAL	UHMWPE	
701.00002-14	3	BU-RING 1 PC	CARBON PEEK	30K
	4	SEAL	UHMWPE	
701.00002-15	3	BU-RING 1 PC	CARBON PEEK	40K
	4	SEAL	UHMWPE	
701.10010-05	3	BU-RING 2 PCS	VIRGIN PEEK	10K
	4	SEAL	UHMWPE	
701.10010-06	3	BU-RING 2 PCS	VIRGIN PEEK	20K
	4	SEAL	UHMWPE	
701.10010-07	3	BU-RING 2 PCS	VIRGIN PEEK	30K
	4	SEAL	UHMWPE	
701.10010-08	3	BU-RING 2 PCS	VIRGIN PEEK	40K
	4	SEAL	UHMWPE	
701.10010-10	3	BU-RING 2 PCS	GLASS/PEEK	10K
	4	SEAL	UHMWPE	
701.10010-09	3	BU-RING 2 PCS	GLASS/PEEK	20K
	4	SEAL	UHMWPE	
701.10010-11	3	BU-RING 2 PCS	GLASS/PEEK	30K
	4	SEAL	UHMWPE	
701.10010-12	3	BU-RING 2 PCS	GLASS/PEEK	40K
	4	SEAL	UHMWPE	
701.10010-13	3	BU-RING 2 PCS	CARBON/PEEK	10K
	4	SEAL	UHMWPE	
701.10010-14	3	BU-RING 2 PCS	CARBON/PEEK	20K
	4	SEAL	UHMWPE	
701.10010-15	3	BU-RING 2 PCS	CARBON/PEEK	30K
	4	SEAL	UHMWPE	
701.10010-16	3	BU-RING 2 PCS	CARBON/PEEK	40K
	4	SEAL	UHMWPE	

PLUNGER SEAL ITEMS No. 3 & No. 4
STANDARD CONFIGURATION

PART NO.	ITEM	DESCRIPTION	MATERIAL	PRESS
701.10010-22	3	BU-RING 2 PCS	CARBON/PEEK	5K
	4	SEAL	UHMWPE	
701.10010-17	3	BU-RING 1 PC	BRONZE	10K
	4	SEAL	UHMWPE	
701.10010-18	3	BU-RING 1 PC	BRONZE	20K
	4	SEAL	UHMWPE	
701.10010-19	3	BU-RING 1 PC	BRONZE	30K
	4	SEAL	UHMWPE	
701.10010-20	3	BU-RING 1 PC	BRONZE	40K
	4	SEAL	UHMWPE	

USP CL VI OPTION

PART NO.	ITEM	DESCRIPTION	MATERIAL	PRESS
701.10010-23	3	BU-RING 1 PC	BRONZE	10K
	4	PLUNGER SEAL	UHMWPE	
701.10010-24	3	BU-RING 1 PC	BRONZE	20K
	4	PLUNGER SEAL	UHMWPE	
701.10010-25	3	BU-RING 1 PC	BRONZE	30K
	4	PLUNGER SEAL	UHMWPE	

TIVAR HOT, STEAM APPLICATION

PART NO.	ITEM	DESCRIPTION	MATERIAL	PRESS
701.10010-26	3	BU-RING 1 PC	BRONZE	10K
	4	PLUNGER SEAL	TIVAR HOT	
701.10010-27	3	BU-RING 1 PC	BRONZE	20K
	4	PLUNGER SEAL	TIVAR HOT	
701.10010-28	3	BU-RING 1 PC	BRONZE	30K
	4	PLUNGER SEAL	TIVAR HOT	

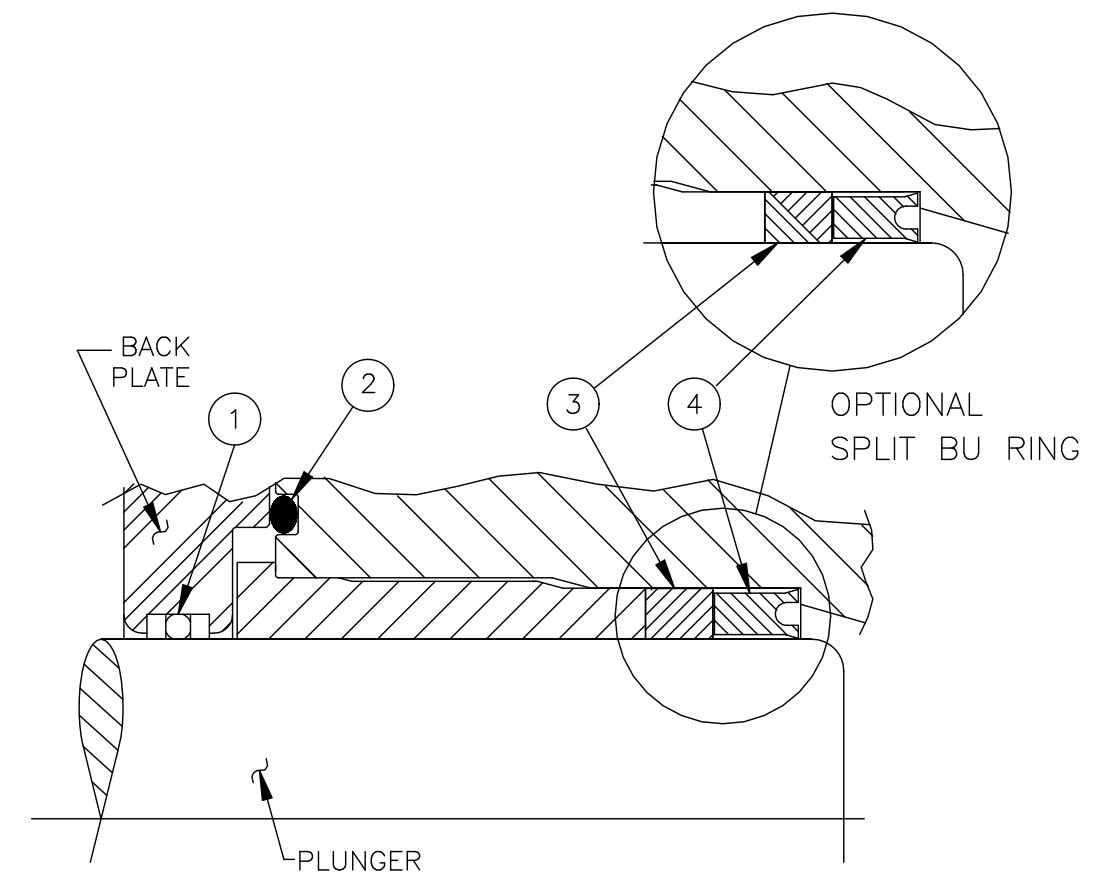
TEFLON ENCAPSULATED VITON

PART NO.	DESCRIPTION	MATERIAL	PRESS
701.10009-09	O-RING	TEFLON ENCAPSULATED VITON	5K
	BU-RING 2 PCS	TEFLON	
701.10009-11	O-RING	TEFLON ENCAPSULATED VITON	10K
	BU-RING 2 PCS	TEFLON	
701.10009-12	O-RING	TEFLON ENCAPSULATED VITON	20K
	BU-RING 2 PCS	TEFLON	
701.10009-13	O-RING	TEFLON ENCAPSULATED VITON	30K
	BU-RING 2 PCS	TEFLON	
701.10009-14	O-RING	TEFLON ENCAPSULATED VITON	40K
	BU-RING 2 PCS	TEFLON	

REV	ECN NO.	DESCRIPTION	BY	DATE
B	03-44	CHANGED PER ECO	WPS	12-18-03
C	04-98	ADDED CHART & OTHER CHANGES	WPS	12-3-04
C	04-107	ADDED INFORMATION	WPS	12-17-04
D	19	REARRANGE TABLES PER ECO	WPS	2-10-05
E	126	ADDED 701.10009-09 THRU 14	WPS	11-4-05
F	140	ADDED TIVAR TABLE	PSG	12-16-05

NOTES:

1. REFERENCE LIQUID END DRAWING D-11743 FOR STANDARD UNIT, OTHER LIQUID END ASS'Y DRAWINGS APPLY.
2. FDA CERTIFIED MATERIAL SUPPLIED WITH CERTIFICATES PER DETAIL DRAWING.



DUPLICATION OR DISSEMINATION WITHOUT AUTHORIZATION PROHIBITED
CONFIDENTIAL AND PROPRIETARY PROPERTY OF:



30 OSSIPPEE RD.
P.O. BOX 9101
NEWTON, MA 02464-9101 USA

SCALE: NONE	TOLERANCES: $\pm 1/2$	$\frac{XX}{XX} = \pm \frac{1}{32}$	DRAWN BY JR
DATE: 4-16-99	.XX = ± 0.01	.XXX = ± 0.005	F. N. 12970F

SEAL CONFIGURATIONS

MATERIAL:	DRAWING NUMBER B-12970	REV. F
-----------	---------------------------	-----------