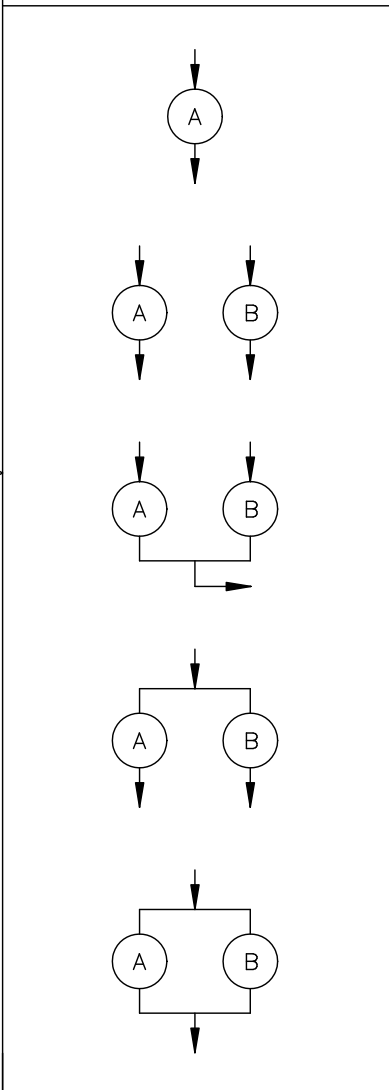
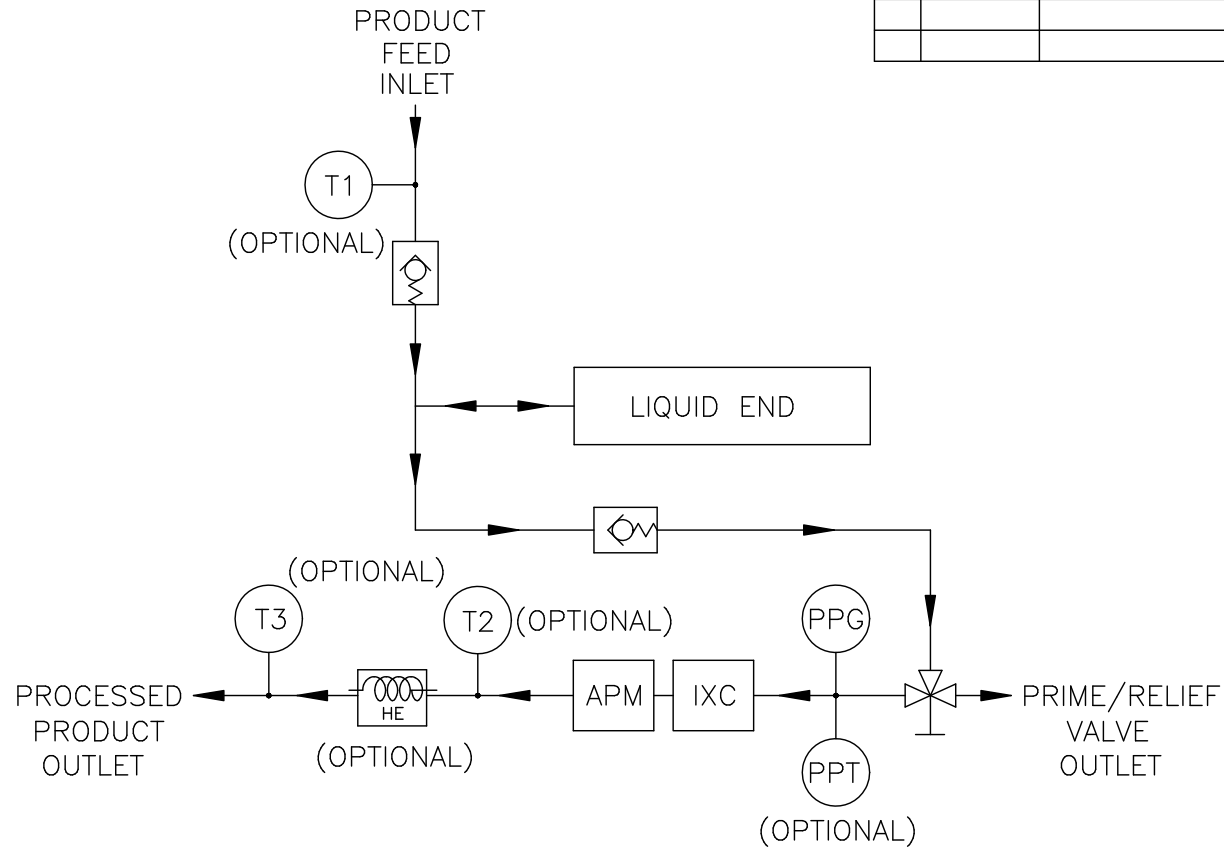


LIQUID END INLET/OUTLET  
MANIFOLD VARIATIONS  
DEPENDING ON NUMBER OF  
CYLINDERS AND CUSTOMER  
PROCESSING REQUIREMENTS



REV	ECN NO.	DESCRIPTION	BY	DATE



LEGEND	
	VALVE
	PROCESS PRESSURE GAUGE
	PROCESS PRESSURE TRANSDUCER
	PRODUCT HEAT EXCHANGER
	THERMOCOUPLE OR RTD
	THERMOCOUPLE OR RTD
	THERMOCOUPLE OR RTD

DUPLICATION OR DISSEMINATION WITHOUT AUTHORIZATION PROHIBITED  
CONFIDENTIAL AND PROPRIETARY PROPERTY OF:

**Microfluidics Corporation** 30 OSSIPEE RD.  
P.O. BOX 9101  
NEWTON, MA 02464-9101 USA

SCALE: NONE	TOLERANCES: $\varnothing = \pm 1/2'$ $\frac{XX}{XX} = \pm \frac{1}{32}$	DRAWN BY JR
DATE: 12-22-98	.XX = $\pm .01$ .XXX = $\pm .005$	F. N. 12902

**FLOW DIAGRAM M700**

MATERIAL:	DRAWING NUMBER	REV.
	B-12902	