

REV	ZN	ECN NO.	DESCRIPTION	BY	DATE
			SEE SHEET 1		

5K LIQUID END ASSEMBLY

ITEM	QTY	PART NO.	DESCRIPTION	MATERIAL	DWG.NO.
1	REF	66.0115	CYLINDER, HYD, 3-1/4 BORE X 8"	STEEL	B-12862
2	1	22.0215	SPACER	17-4 PH	D-11740
3	-	-	-	-	-
4	1	70.3211	PLATE BACKING 10K LIP	17-4 PH	C-14002
5	1	10.3160	COUPLER, LIQUID END	17-4 PH	B-13069
6	1	-	BEARING 10K	BRONZE	-
7	1	-	LIQUID END 10K	17-4 PH	-
8	1	-	PLUNGER 10K	17-4 PH	-
9	2	99.0343	SHSS NO. 10-32 X .75 LG	SS	ND
10	1	99.0413	SHSS .25-20 X .50 LG	SS	ND
11	8	99.0324	HHCS 5/8-11 X 2.50 LG	SS	ND
12	16	99.0215	HEX NUT 5/8-11	SS	ND
13	8	99.0102	FLAT WASHER 5/8	SS	ND
14	20	99.0113	LOCK WASHER 5/8	SS	ND
15	1	18.V114	O-RING No. 114 VITON	VITON	ND
16	4	99.0379	HHCS .62-11 X 1.75 GRADE 8	CS	ND
17	8	99.0323	HHCS 5/8-11 x 3.25 LG	SS	ND
18	1	50.2134	ADAPTER, SHOULDER BOLT	SS	B-13184
19	-	-	FOR SEALS & O-RINGS CONFIGURATION SEE DWG# B-12970	-	-
20	-	-	-	-	-
21	-	-	-	-	-
22	-	-	-	-	-
23	-	-	-	-	-
24	1	60.0200	ADAPTER, PLUNGER END	17-4 PH	B-13070

10K LIQUID END ASSEMBLIES

ITEM	QTY	PART NO.	DESCRIPTION	MATERIAL	DWG.NO.	
1	REF	66.0115	CYLINDER, HYD, 3-1/4 BORE X 8"	STEEL	B-12862	
2	1	22.0215	SPACER	17-4 PH	D-11740	
3	-	-	-	-	-	
4	0	1	70.3207	PLATE BACKING 10K FLAT	17-4 PH	C-13392
5	1	1	70.3212	PLATE BACKING 10K LIP	17-4 PH	C-14002
6	1	1	10.3160	COUPLER, LIQUID END	17-4 PH	B-13069
7	1	1	18.4241	BEARING 10K	BRONZE	B-12880
8	1	1	12.3002	LIQUID END 10K	17-4 PH	D-13391
9	1	1	12.2047	PLUNGER 10K	17-4 PH	B-11733
10	2	2	99.0343	SHSS NO. 10-32 X .75 LG	SS	ND
11	1	1	99.0413	SHSS .25-20 X .50 LG	SS	ND
12	8	8	99.0324	HHCS 5/8-11 X 2.50 LG	SS	ND
13	16	16	99.0215	HEX NUT 5/8-11	SS	ND
14	8	8	99.0102	FLAT WASHER 5/8	SS	ND
15	20	20	99.0113	LOCK WASHER 5/8	SS	ND
16	1	1	18.V114	O-RING No. 114 VITON	VITON	ND
17	4	4	99.0379	HHCS .62-11 X 1.75 GRADE 8	CS	ND
18	8	8	99.0323	HHCS 5/8-11 x 3.25 LG	SS	ND
19	1	1	50.2134	ADAPTER, SHOULDER BOLT	SS	B-13184
20	-	-	FOR SEALS & O-RINGS CONFIGURATION SEE DWG# B-12970	-	-	
21	-	-	-	-	-	
22	-	-	-	-	-	
23	-	-	-	-	-	
24	1	1	60.0200	ADAPTER, PLUNGER END	17-4 PH	B-13070

20K LIQUID END ASSEMBLIES

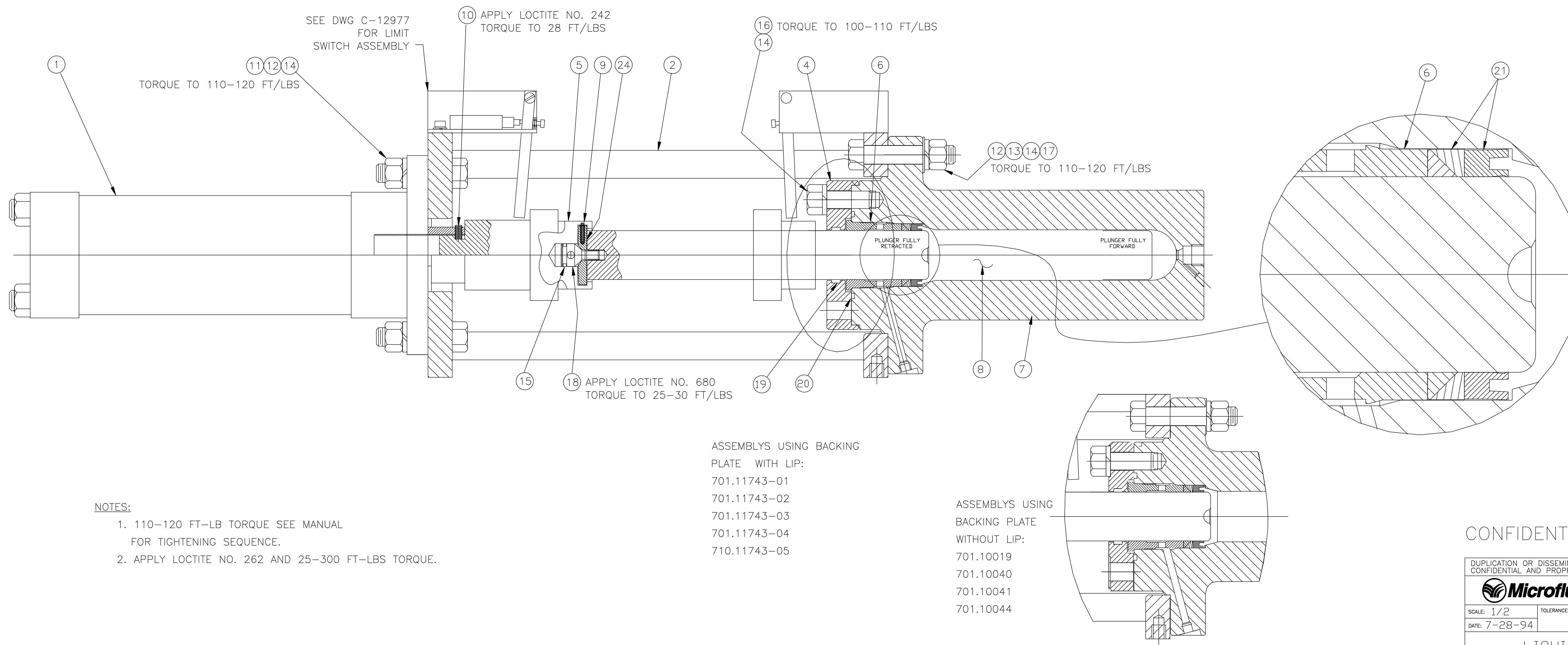
ITEM	QTY	PART NO.	DESCRIPTION	MATERIAL	DWG.NO.	
1	REF	66.0115	CYLINDER, HYD, 3-1/4 BORE X 8"	STEEL	B-12862	
2	1	22.0215	SPACER	17-4 PH	D-11740	
3	-	-	-	-	-	
4	0	1	70.3208	PLATE BACKING 20K FLAT	17-4 PH	C-13392
5	1	1	70.3213	PLATE BACKING 20K LIP	17-4 PH	C-14002
6	1	1	10.3160	COUPLER, LIQUID END	17-4 PH	B-13069
7	1	1	18.4242	BEARING 20K	BRONZE	B-12880
8	1	1	12.3003	LIQUID END 20K	17-4 PH	D-13391
9	1	1	12.2048	PLUNGER 20K	17-4 PH	B-11733
10	2	2	99.0343	SHSS NO. 10-32 X .75 LG	SS	ND
11	1	1	99.0413	SHSS .25-20 X .50 LG	SS	ND
12	8	8	99.0324	HHCS 5/8-11 X 2.50 LG	SS	ND
13	16	16	99.0215	HEX NUT 5/8-11	SS	ND
14	8	8	99.0102	FLAT WASHER 5/8	SS	ND
15	20	20	99.0113	LOCK WASHER 5/8	SS	ND
16	1	1	18.V114	O-RING No. 114 VITON	VITON	ND
17	4	4	99.0379	HHCS .62-11 X 1.75 GRADE 8	CS	ND
18	8	8	99.0323	HHCS 5/8-11 x 3.25 LG	SS	ND
19	1	1	50.2134	ADAPTER, SHOULDER BOLT	SS	B-13184
20	-	-	FOR SEALS & O-RINGS CONFIGURATION SEE DWG# B-12970	-	-	
21	-	-	-	-	-	
22	-	-	-	-	-	
23	-	-	-	-	-	
24	1	1	60.0200	ADAPTER, PLUNGER END	17-4 PH	B-13070

30K LIQUID END ASSEMBLIES

ITEM	QTY	PART NO.	DESCRIPTION	MATERIAL	DWG.NO.	
1	REF	66.0115	CYLINDER, HYD, 3-1/4 BORE X 8"	STEEL	B-12862	
2	1	22.0215	SPACER	17-4 PH	D-11740	
3	-	-	-	-	-	
4	0	1	70.3206	BACKING PLATE 30K FLAT	17-4 PH	C-13392
5	1	1	70.3214	BACKING PLATE 30K LIP	17-4 PH	C-14002
6	1	1	10.3160	COUPLER, LIQUID END	17-4 PH	B-13069
7	1	1	18.4243	BEARING 30K	BRONZE	B-12880
8	1	1	12.3001	LIQUID END 30K	17-4 PH	D-13391
9	1	1	12.2049	PLUNGER 30K	17-4 PH	B-11733
10	2	2	99.0343	SHSS NO. 10-32 X .75 LG	SS	ND
11	1	1	99.0413	SHSS .25-20 X .50 LG	SS	ND
12	8	8	99.0324	HHCS 5/8-11 X 2.50 LG	SS	ND
13	16	16	99.0215	HEX NUT 5/8-11	SS	ND
14	8	8	99.0102	FLAT WASHER 5/8	SS	ND
15	20	20	99.0113	LOCK WASHER 5/8	SS	ND
16	1	1	18.V114	O-RING No. 114 VITON	VITON	ND
17	4	4	99.0379	HHCS .62-11 X 1.75 GRADE 8	CS	ND
18	8	8	99.0323	HHCS 5/8-11 x 3.25 LG	SS	ND
19	1	1	50.2134	ADAPTER, SHOULDER BOLT	SS	B-13184
20	-	-	FOR SEALS & O-RINGS CONFIGURATION SEE DWG# B-12970	-	-	
21	-	-	-	-	-	
22	-	-	-	-	-	
23	-	-	-	-	-	
24	1	1	60.0200	ADAPTER, PLUNGER END	SS	B-13070

40K LIQUID END ASSEMBLIES

ITEM	QTY	PART NO.	DESCRIPTION	MATERIAL	DWG.NO.	
1	REF	66.0115	CYLINDER, HYD, 3-1/4 BORE X 8"	STEEL	B-12862	
2	1	22.0215	SPACER	17-4 PH	D-11740	
3	-	-	-	-	-	
4	0	1	70.3209	BACKING PLATE 40K FLAT	17-4 PH	C-13392
5	1	1	70.3215	BACKING PLATE 40K LIP	17-4 PH	C-14002
6	1	1	10.3160	COUPLER, LIQUID END	17-4 PH	B-13069
7	1	1	18.4244	BEARING 40K	BRONZE	B-12880
8	1	1	12.3004	LIQUID END 40K	17-4 PH	D-13391
9	1	1	12.2050	PLUNGER 40K	17-4 PH	B-11733
10	2	2	99.0343	SHSS NO. 10-32 X .75 LG	SS	ND
11	1	1	99.0413	SHSS .25-20 X .50 LG	SS	ND
12	8	8	99.0324	HHCS 5/8-11 X 2.50 LG	SS	ND
13	16	16	99.0215	HEX NUT 5/8-11	SS	ND
14	8	8	99.0102	FLAT WASHER 5/8	SS	ND
15	20	20	99.0113	LOCK WASHER 5/8	SS	ND
16	1	1	18.V114	O-RING No. 114 VITON	VITON	ND
17	4	4	99.0379	HHCS .62-11 X 1.75 GRADE 8	CS	ND
18	8	8	99.0323	HHCS 5/8-11 x 3.25 LG	SS	ND
19	1	1	50.2134	ADAPTER, SHOULDER BOLT	SS	B-13184
20	-	-	FOR SEALS & O-RINGS CONFIGURATION SEE DWG# B-12970	-	-	
21	-	-	-	-	-	
22	-	-	-	-	-	
23	-	-	-	-	-	
24	1	1	60.0200	ADAPTER, PLUNGER END	17-4 PH	B-13070



- NOTES:
- 110-120 FT-LB TORQUE SEE MANUAL FOR TIGHTENING SEQUENCE.
  - APPLY LOCTITE NO. 262 AND 25-300 FT-LBS TORQUE.

ASSEMBLYS USING BACKING PLATE WITH LIP:  
 701.11743-01  
 701.11743-02  
 701.11743-03  
 701.11743-04  
 710.11743-05

ASSEMBLYS USING BACKING PLATE WITHOUT LIP:  
 701.10019  
 701.10040  
 701.10041  
 701.10044

CONFIDENTIAL

DUPLICATION OR DISSEMINATION WITHOUT AUTHORIZATION PROHIBITED CONFIDENTIAL AND PROPRIETARY PROPERTY OF:			
		30 OSSISPEE RD. P.O. BOX 9101 NEWTON, MA 02464-9101 USA	
SCALE: 1/2	TOLERANCES: $\pm 1/2$	$\pm 1/32$	DRAWN BY DB
DATE: 7-28-94	.XX=±.01	.XXX=±.005	F. N. 11743M
LIQUID END ASSY M700			
MATERIAL: SEE CHARTS		DRAWING NUMBER: D-11743	REV. M