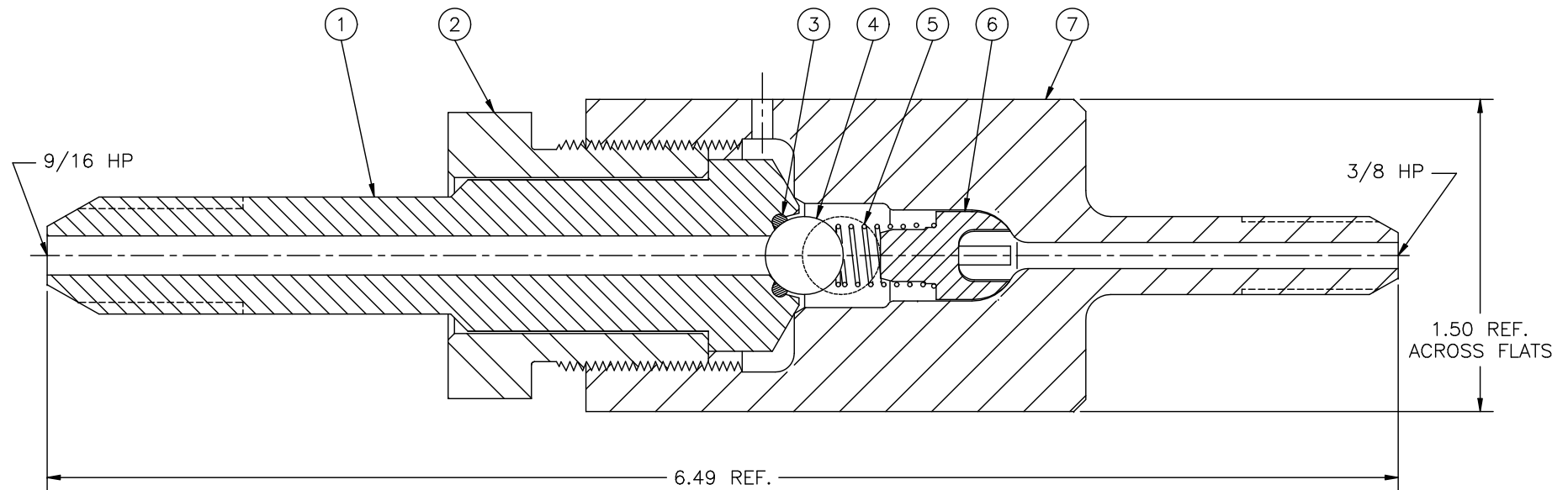


ASSY.NO.	ITEM	QTY	INV.NO.	DESCRIPTION	DWG.NO.	MATERIAL
802.00004	1	1	24.4619	SEAT	B-13001	17-4 PH
	2	1	24.4204	GLAND	B-12999	316 SST
	3	1	24.4630	O-RING #011	-	UHMWPE
	4	1	24.4912	BALL 3/8 DIA	-	TUNGSTEN CARBIDE
	5	1	24.4402	SPRING	A-11516	316 SST
	6	1	24.4315	SPRING RETAINER	B-11092	316 SST
	7	1	24.4106	BODY	B-13000	17-4 PH

REV	ECN NO.	DESCRIPTION	BY	DATE
A	04-14	UPDATED PICTORIALY	WPS	4-24-04



**NOTES:**

1. LIGHTLY LUBRICATE THREADS, THE SEAT WHERE IT CONTACTS THE BODY, AND THE GLAND WHERE IT CONTACTS THE SEAT.
2. 130 LB-FT TORQUE REQUIRED FOR A TIGHT SEAL.
3. STAMP "MAWP 40KSI" AND FLOW DIRECTIONAL ARROW ON FLAT OF THE BODY.

DUPLICATION OR DISSEMINATION WITHOUT AUTHORIZATION PROHIBITED  
CONFIDENTIAL AND PROPRIETARY PROPERTY OF:



30 DSSIPEE RD.  
P.O. BOX 9101  
NEWTON, MA 02464-9101 USA

SCALE: 2:1	TOLERANCES: $\varnothing = \pm 1/2'$ $\frac{XX}{XX} = \pm \frac{1}{32}$	DRAWN BY JR
DATE: 6-24-99	.XX = $\pm 0.01$ .XXX = $\pm 0.005$	F. N. 12998A

CHECK VALVE ASSY 9/16 HP M

MATERIAL:	DRAWING NUMBER	REV.
	B-12998	A